

# RBS 6000 & Baseband

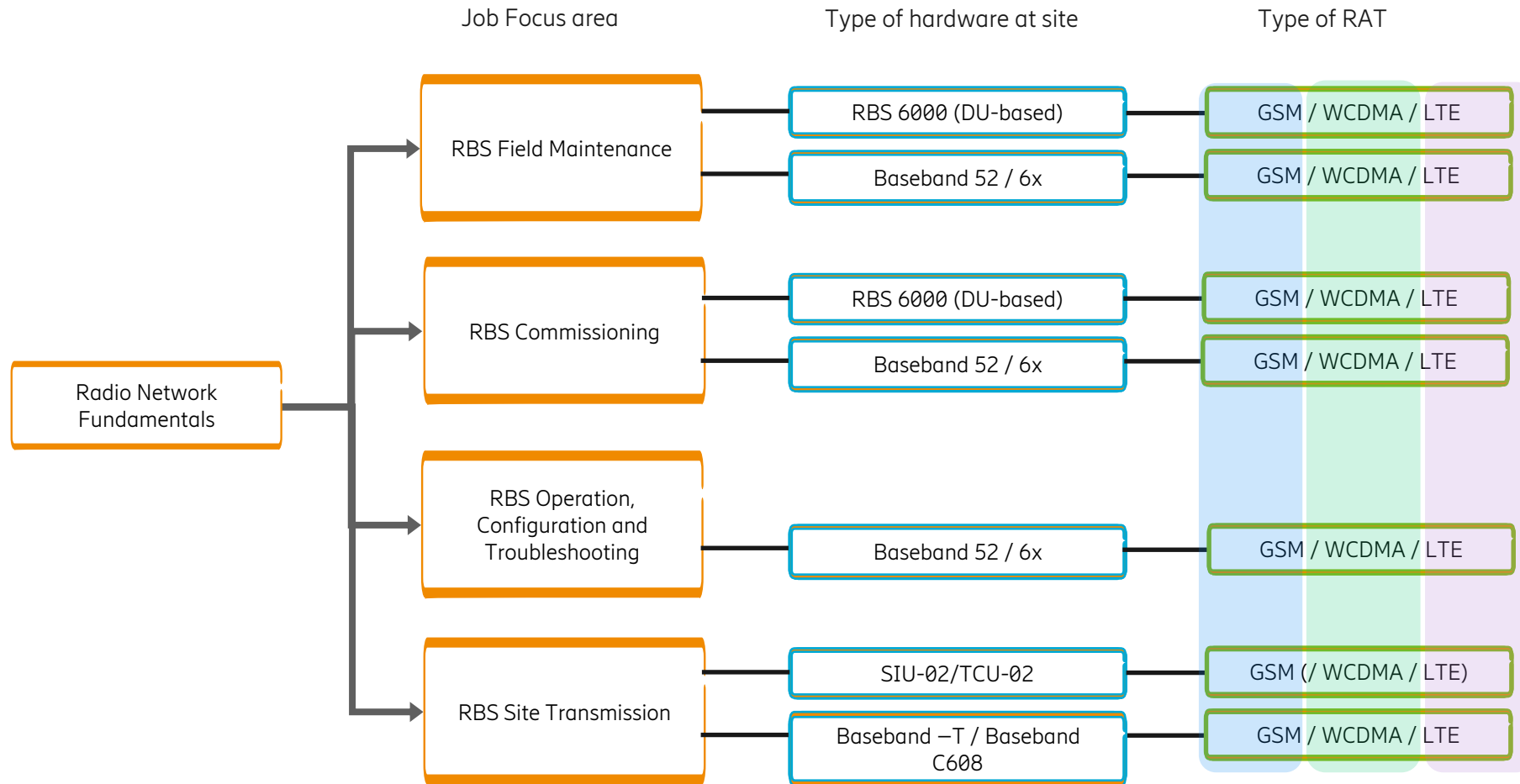


# Why Invest in RBS 6000 & Baseband Learning Service ?



- Better controlling and optimizing the network performance
- Optimal Investment
- Efficiently building and maintaining competence over system releases
- Comprehensive competence
- Best fit learning method

# What's in RBS 6000 and Baseband Learning Service ?

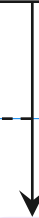


# Radio Network Fundamentals – eLearning



The participants should be familiar with telecommunication basics

Pre-requisite



LTE Overview  
LZU1082394, WBL, 1 Hour

# Radio Network Fundamentals



The participants should be familiar with telecommunication basics

Pre-requisite

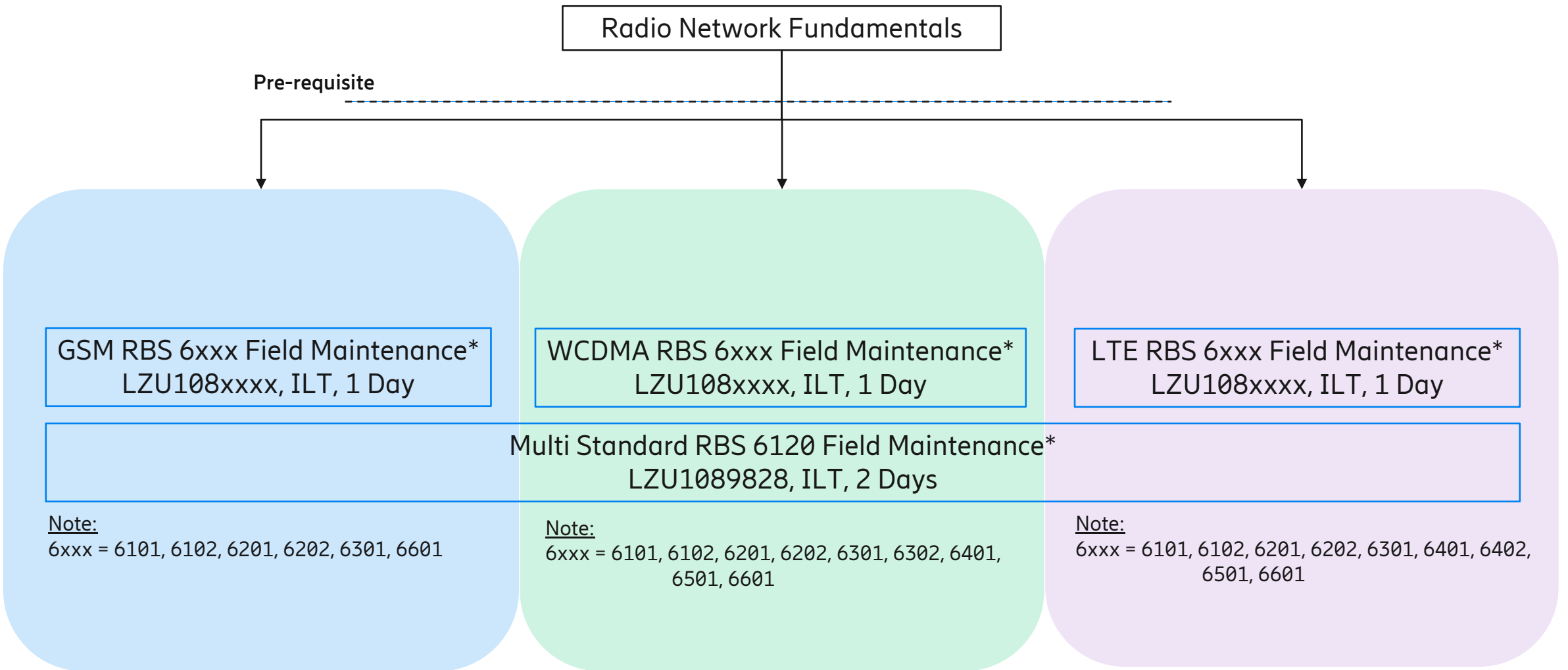
GSM System Survey  
LZU108852, ILT, 4 Days

Ericsson WCDMA System Overview  
LZU1085418, ILT, 2 Days

LTE/SAE System Overview  
LZU1087020, ILT, 2 Days

Ericsson Radio System Overview  
LZU1089991, ILT, 2 Days

# RBS 6000 Field Maintenance \*\*

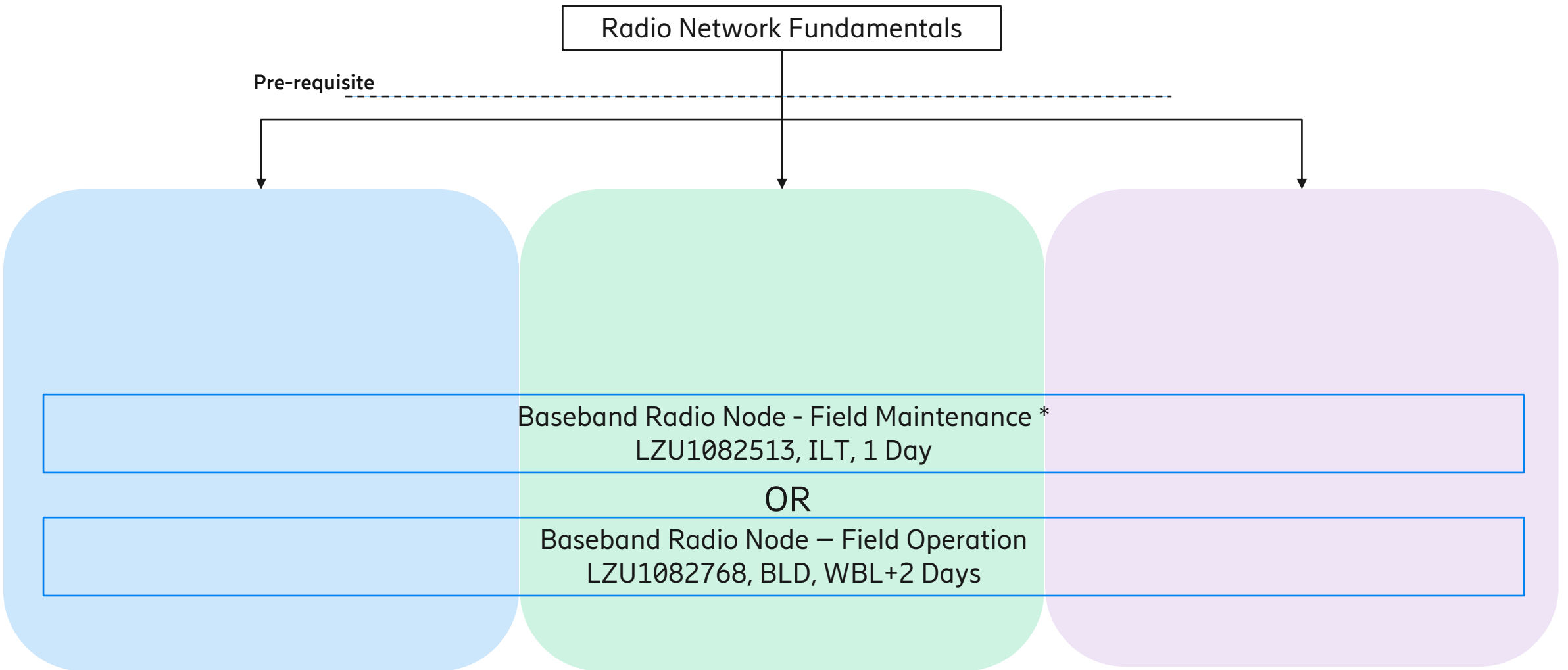


\* Requires equipment at the training site

\*\* Available only on request.

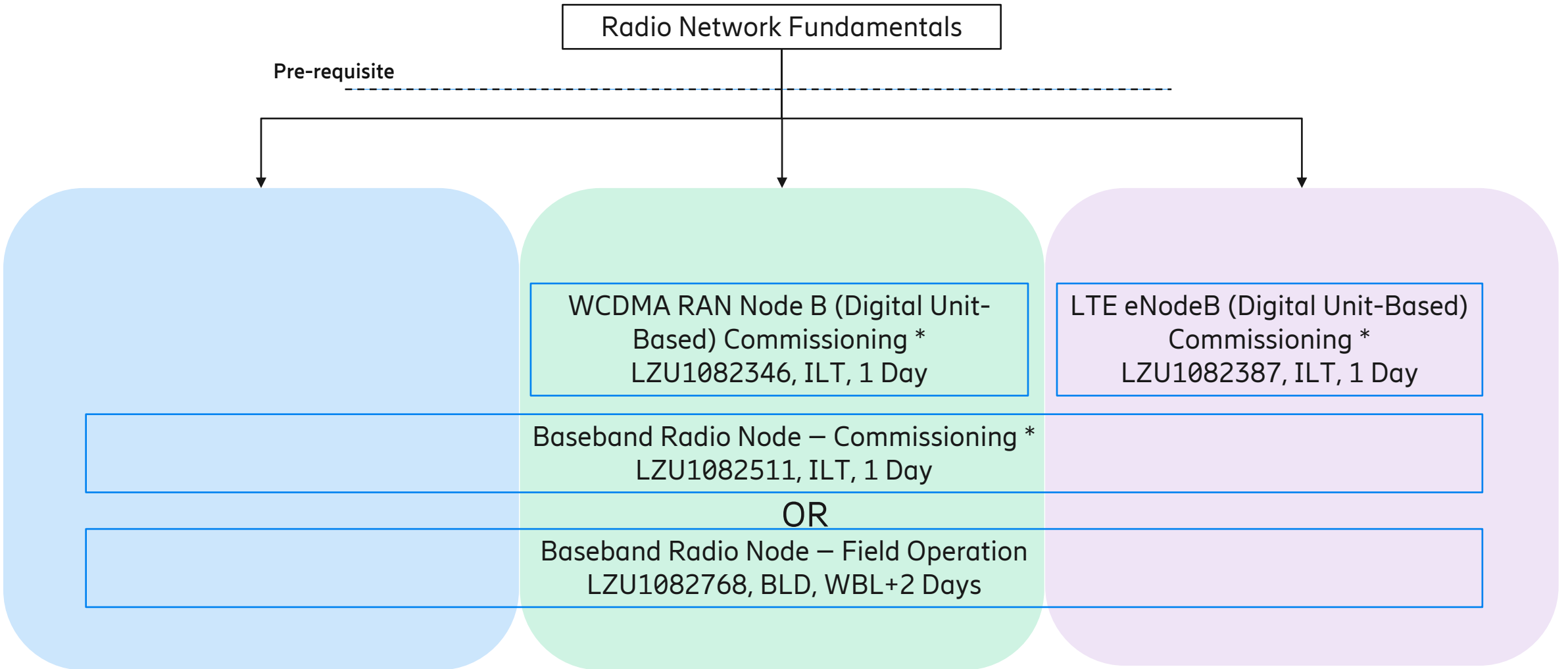
\*\* Digital Unit –based, except for RBS 6401 and RBS 6402

# Baseband Field Maintenance



\* Requires equipment at the training site

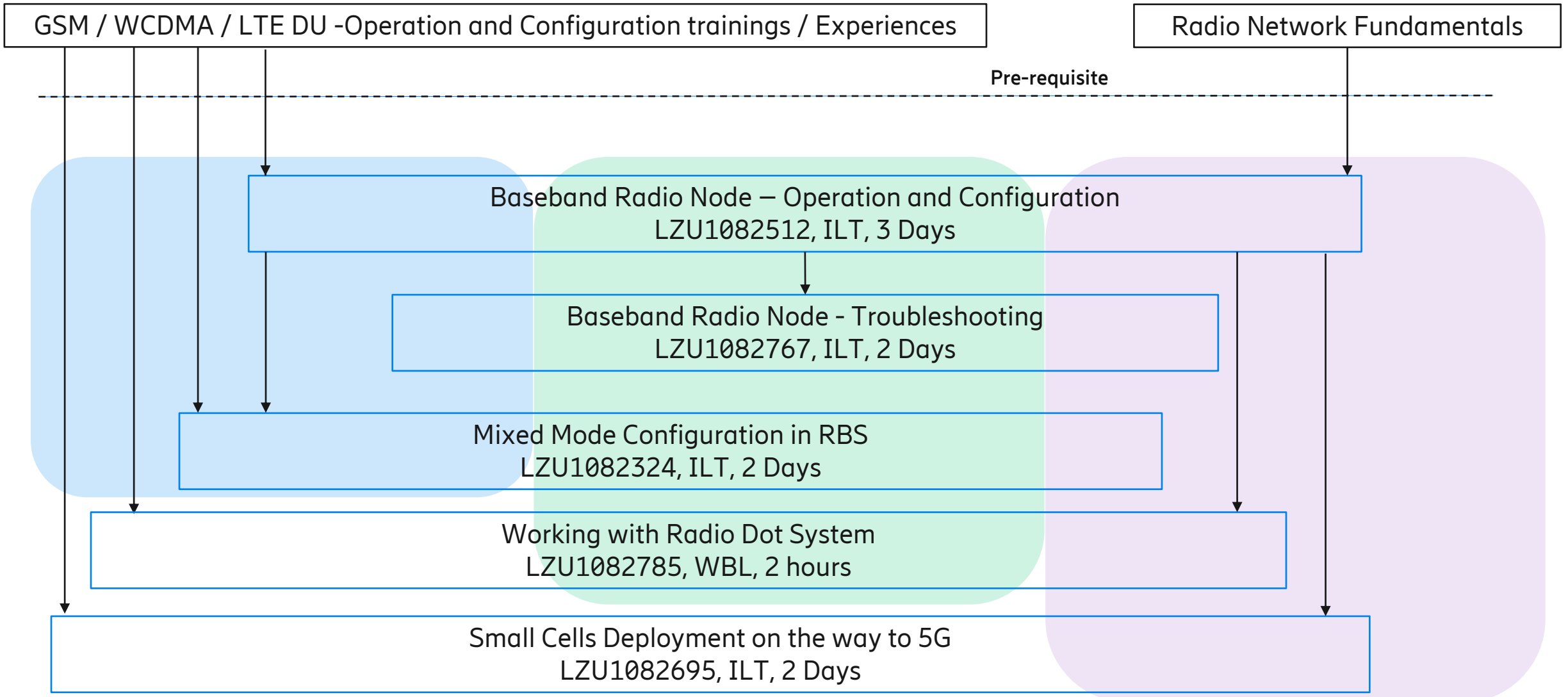
# RBS Commissioning



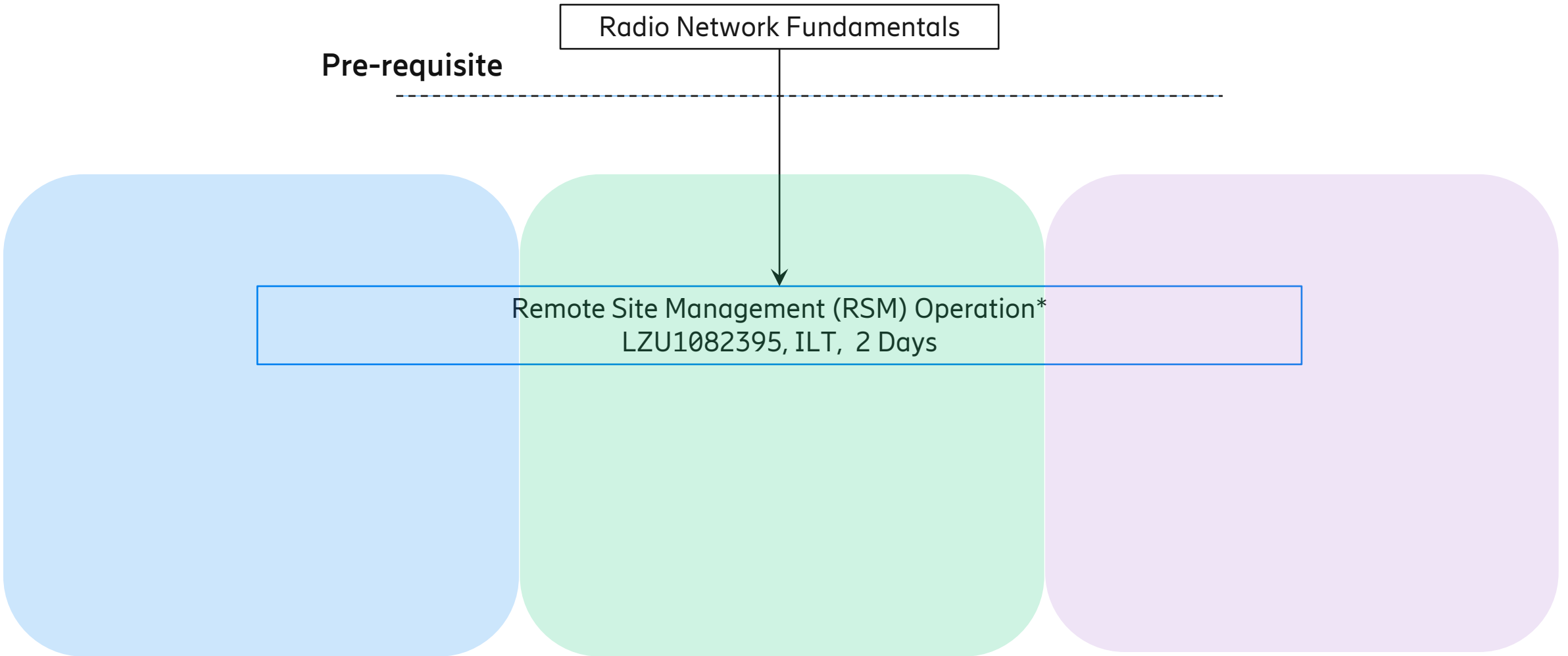
\* Requires equipment at the training site



# Baseband Operation, Configuration and Troubleshooting ≡

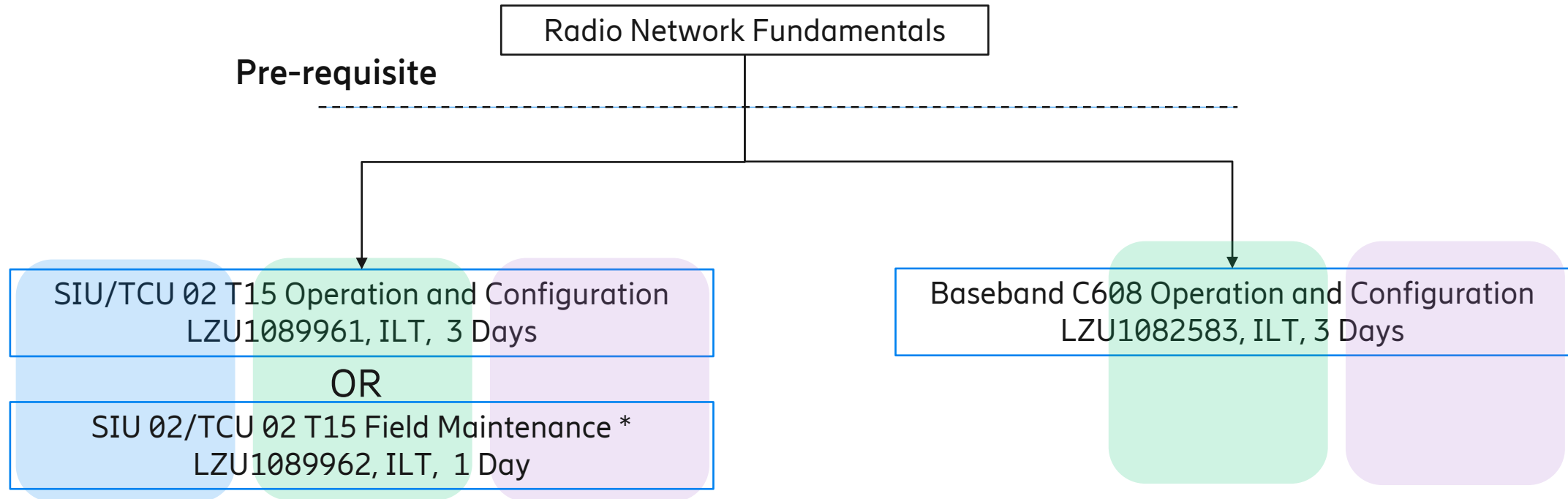


# Remote Site Management (RSM)

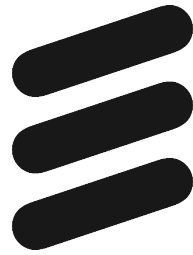


\* Requires equipment at the training site

# Site Transmission – Operation/Configuration OR Field Maintenance



\* Requires equipment at the training site



[ericsson.com/ourportfolio/services/learning-services](https://ericsson.com/ourportfolio/services/learning-services)