

Multi Mediation (MM) 18 Training Program Commercial Presentation



Learning Levels & Areas



Technical Surveillance

MM File Processing and Configuration

MM Online Processing and Configuration

MM Delta

Learning Levels & Areas



Technical Surveillance

MM File Processing and Configuration

MM Online Processing and Configuration

MM Delta

Technical Surveillance



**Working experience with multi mediation or
background in Mediation, Billing, and Charging is recommended.**

Unix and Database knowledge is preferred.



Multi Mediation 18 Surveillance

LZU 1082635 R1A (2 Days)

Learning Levels & Areas



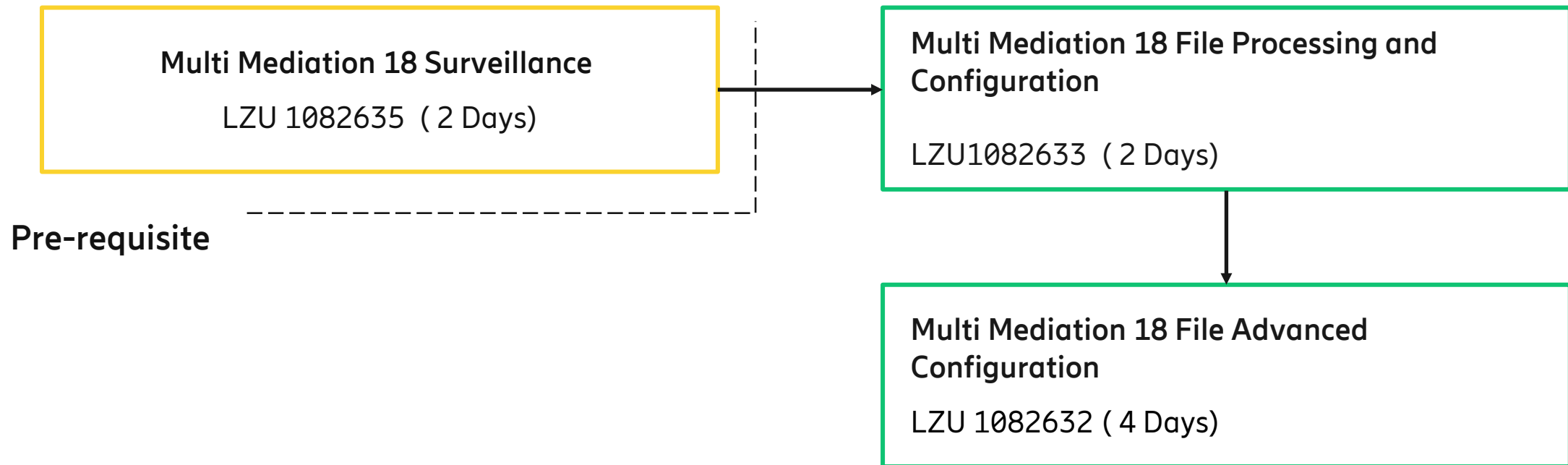
Technical Surveillance

MM File Processing and Configuration

MM Online Processing and Configuration

MM Delta

MM File Processing and Configuration



Learning Levels & Areas



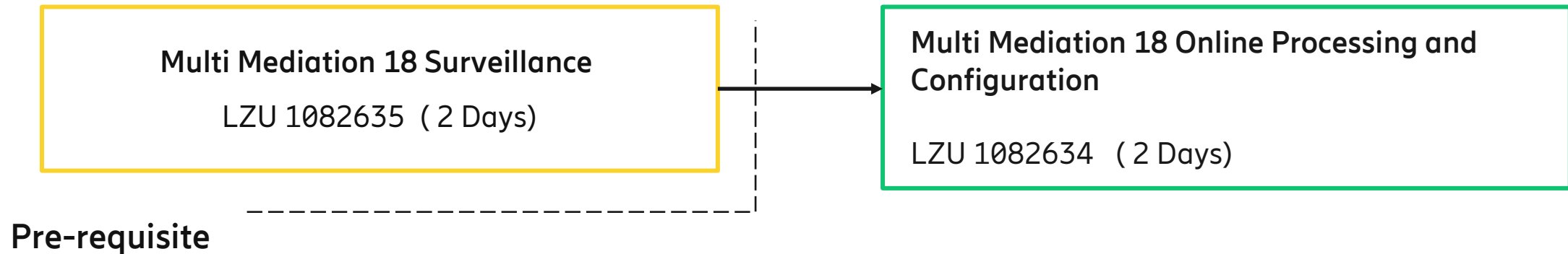
Technical Surveillance

MM File Processing and Configuration

MM Online Processing and Configuration

MM Delta

MM Online Processing and Configuration



Learning Levels & Areas



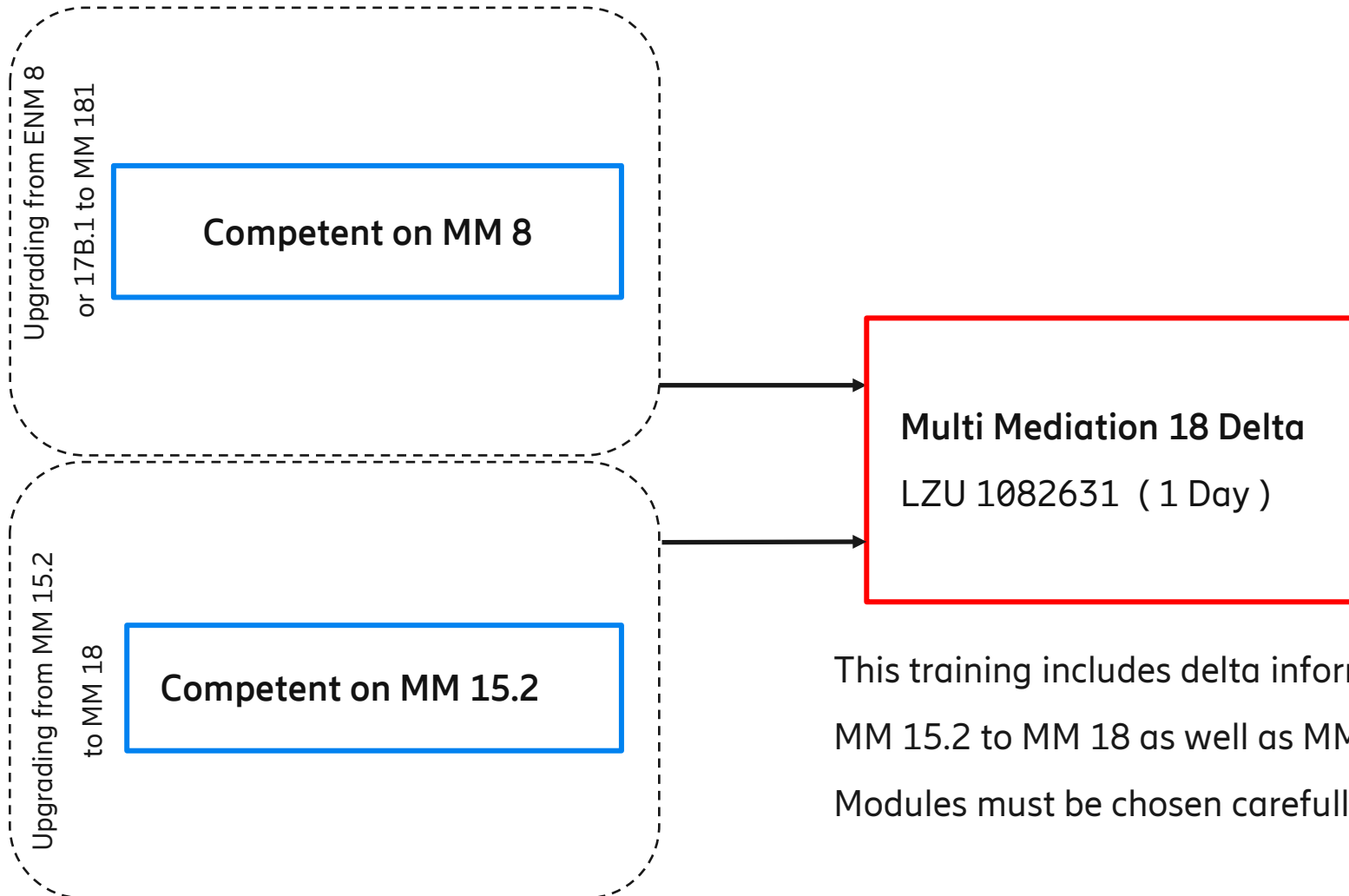
Technical Surveillance

MM File Processing and Configuration

MM Online Processing and Configuration

MM Delta

MM Delta



This training includes delta information between MM 15.2 to MM 18 as well as MM 8 to MM 18.

Modules must be chosen carefully as needed by the customer.

MM 18 Learning Portfolio Summary



LIST OF COURSES	LZU NUMBER	LEARNING SITUATION	DURATION
Multi Mediation 18 Surveillance	LZU 1082635	ILT	2 Days
Multi Mediation 18 Delta	LZU 1082631	ILT	1 Day
Multi Mediation 18 File Processing and Configuration	LZU1082633	ILT	2 Days
Multi Mediation 18 Advanced File Processing and Configuration	LZU 1082632	ILT	4 Days
Multi Mediation 18 Online Processing and Configuration	LZU 1082634	ILT	2 Days

Multi Mediation Training Portfolio can be offered on its own or be part of CBIO Training Offer as well as Charging System Training Offers. BSS Customers who needs to handle mediation on a regular basis as part of other BSS products should go through the above training list offered from Learning Services.

Contact and Further Information



- Find out more about Ericsson Learning Services:

<https://www.ericsson.com/ourportfolio/digital-services-services/learning-services>

- For further information about the courses in the training portfolio and the course descriptions:

https://www.ericsson.com/ourportfolio/digital-services-services/training-programs?nav=fgb_101_117

