

Ericsson Network Manager (ENM) 19 Training Program Commercial Presentation



ENM Learning Levels and Areas



Technical Overviews and Pre-requisites

ENM Operations

Radio Access Network
Core Network
Transport Network

ENM Delta Training

ENM Python Training

ENM VNF LCM Training

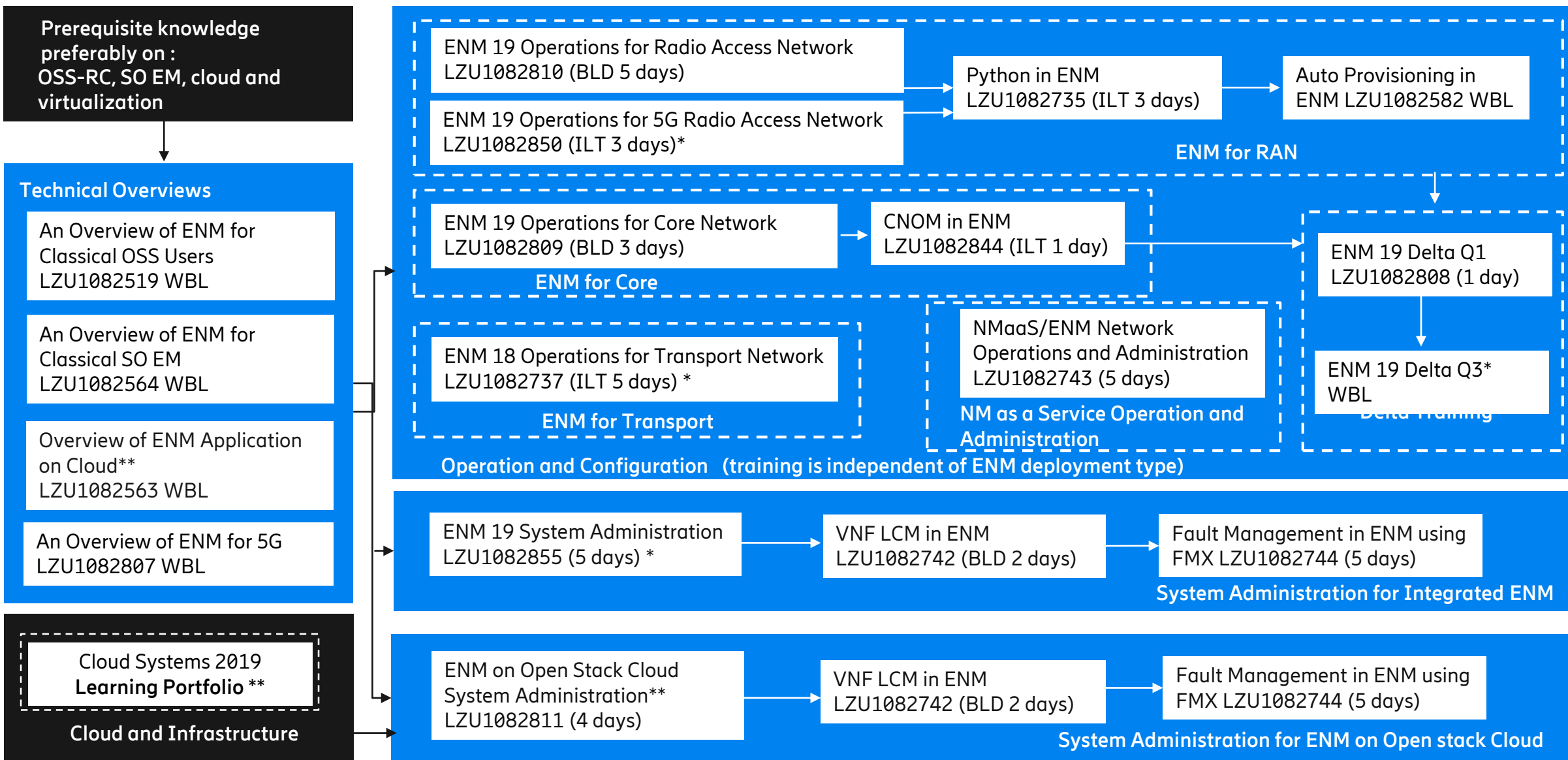
ENM FMX Training

ENM System Administration

ENM on Open Stack Cloud System Administration

ENM Training Case Study

ENM Learning Flow



ENM 19 Learning Portfolio Summary

Web Based Learning Offers



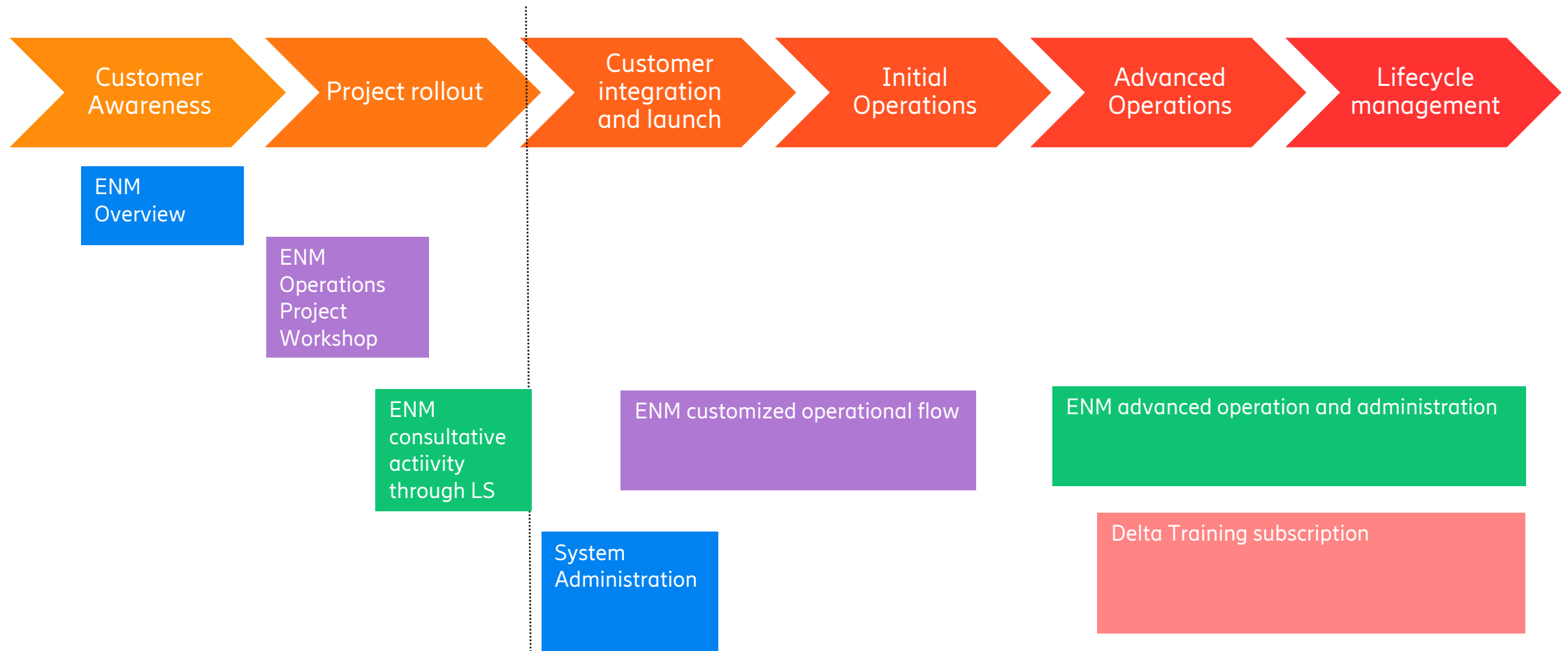
LIST OF COURSES	IDENTITY	LEARNING SITUATION	SESSION DURATION
An Overview of ENM for 5G	LZU1082807	WBL	~2 hours
An Overview of ENM for Classical OSS Users	LZU1082519	WBL	~4 hours
An Overview of ENM for Classical SO EM	LZU1082564	WBL	~4 hours
Overview of ENM Application on Cloud	LZU1082563	WBL	~2 hours
Auto-provisioning in ENM	LZU1082582	WBL	~ 1 hour

ENM 19 Learning Portfolio (BLD and ILTs)



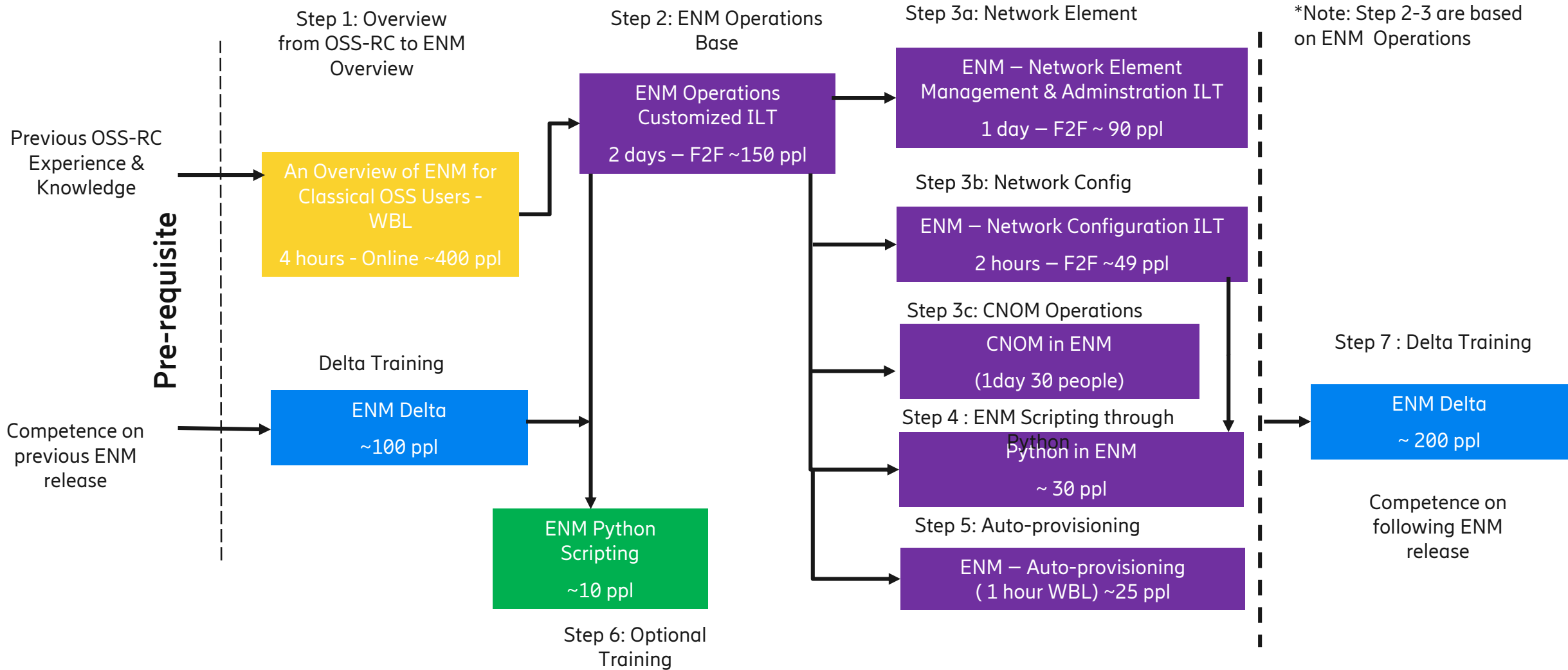
LIST OF COURSES	IDENTITY	LEARNING SITUATION	DURATION
ENM 19 Delta Q1	LZU1082808	ILT	1 day
ENM 19 Operations for Radio Access Network	LZU1082810	BLD	~ 5 Days
ENM 19 Operations for Core Network	LZU1082809	BLD	~ 3 Days
CNOM in ENM	LZU1082844	ILT	1 Day
ENM 18 Operations for Transport	LZU1082737	ILT	~ 5 Days
ENM 19 System Administration	LZU1082855	ILT	~ 5 Days
ENM on Open Stack Cloud System Administration	LZU1082811	ILT	~ 4 Days
Python in ENM	LZU1082735	ILT	3 Days
ENM 19 Operations for 5G Radio Access Network	LZU1082850	ILT	3 Days
VNF LCM in ENM	LZU1082742	BLD	2 Days
Fault Management in ENM using FMX	LZU1082744	ILT	5 Days
NMaaS/ENM Network Operations and Administration	LZU1082743	ILT	~ 5 Days

Case Study : Customer ENM project



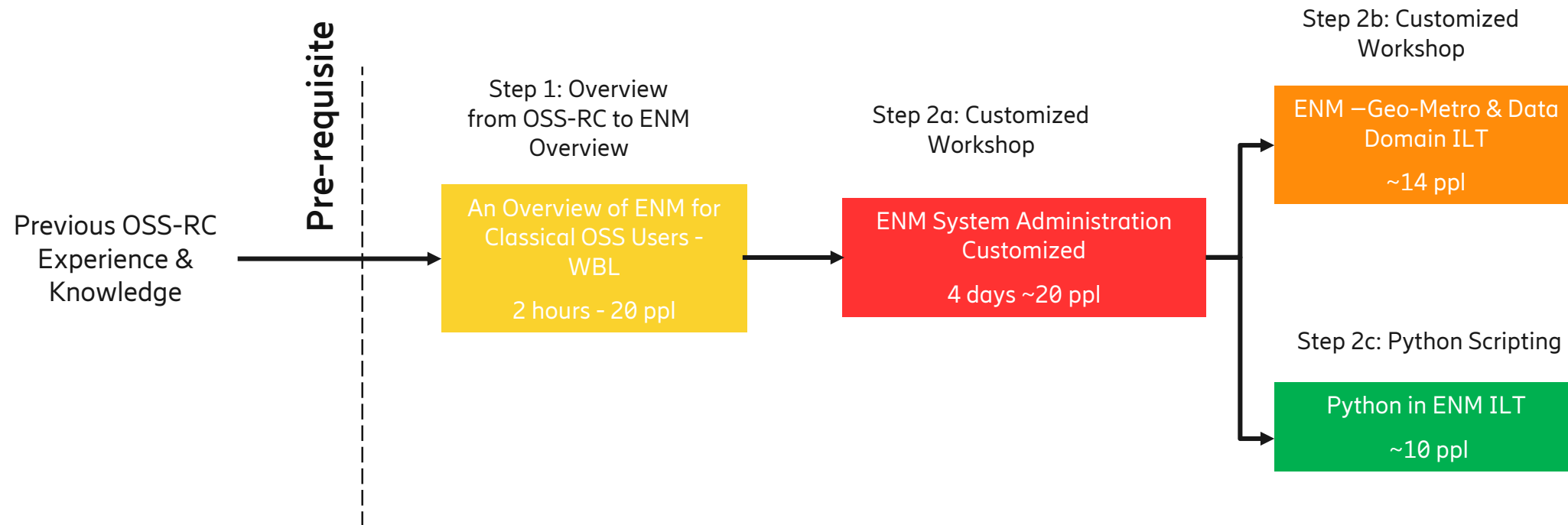
Typical Competence Flow

Customer ENM Operations Example



Typical Competence Flow

Customer ENM System Administration



Contact and Further Information



- Find out more about Ericsson Learning Services:

<https://www.ericsson.com/ourportfolio/digital-services-services/learning-services>

- For further information about the courses in the training portfolio and the course descriptions:

https://www.ericsson.com/ourportfolio/digital-services-services/training-programs?nav=fgb_101_117

